

LED Wall Pack



CLEANLIFE® LED



FEATURES

- 100~277VAC or 277~480VAC
- Long Lifetime, L70>50,000 Hours
- Instant On, No Flicker, Mercury Free, No UV
- High Efficacy, Up to 120 Lumens Per Watt
- Glass free for safer working conditions
- Low Glare, Opaque Polycarbonate Textured Lens
- Operating Temperature from -40°F to +104°F
- IP-65 Rated for Wet and Humid Environments
- 5-Year Manufacturer's Limited Warranty
- ETL Listed, DLC Listed & RoHS Compliant

SPECIFICATIONS

Dimensions	14.3" x 8.8" x 9.3"
Operating Temp.	-40°F (-40°C)~+104°F (+40°C)
Efficacy	120 LPW
Color Accuracy	CRI>70
Rating	IP-65



5-Year Limited Warranty

APPLICATION INFORMATION

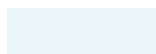
Applications

- Garages
- Pathways
- General Area Lighting

Market Segments

- Commercial
- Outdoor

Color Temperature



5000K



Ultra Bright



Anti-Glare



Energy Saving



Robust Design



CLEANLIFE® LED

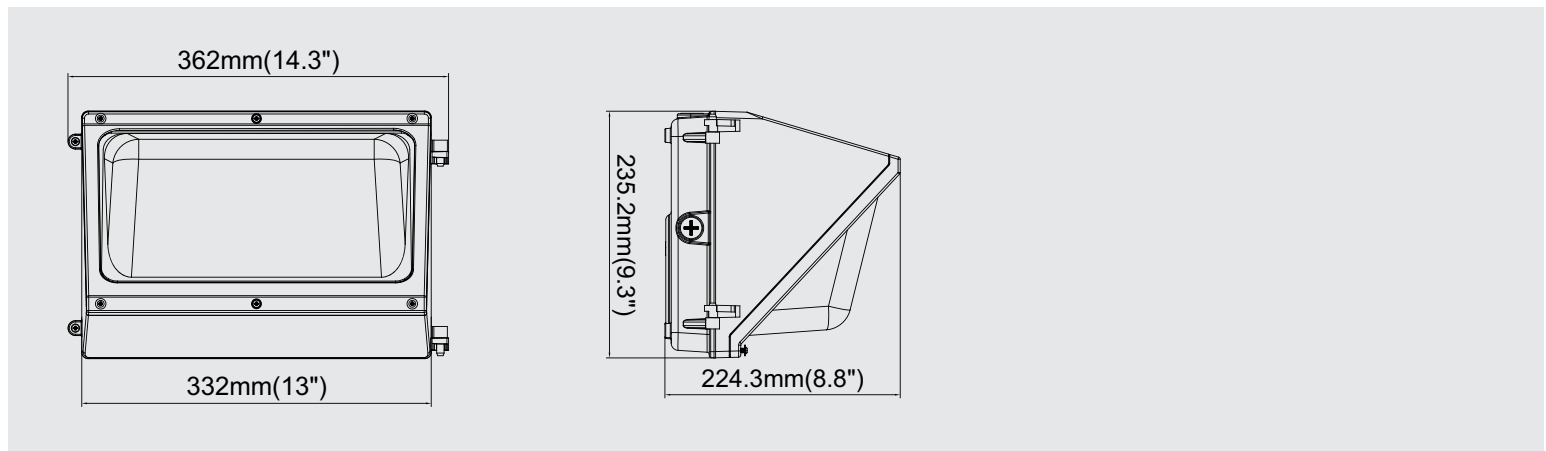


Project/Job	Notes
Date	
Comments	
Prepared by	

Ordering Information

Part Number	Rated Power (W)	Input Voltage (V)	Color Temperature	Average Rated Life (hrs.)	Typical Lumens (lm) (±10%)	Nominal Lumens Per Watt (±3%)	CRI
CL-WP-40W-277-50K	40W	120~277	5000K	L70>50,000	4800	120	70
CL-WP-40W-480-50K	40W	277~480	5000K	L70>50,000	4800	120	70
CL-WP-60W-277-50K	60W	120~277	5000K	L70>50,000	7200	120	70
CL-WP-60W-480-50K	60W	277~480	5000K	L70>50,000	7200	120	70
CL-WP-80W-277-50K	80W	120~277	5000K	L70>50,000	9600	120	70
CL-WP-80W-480-50K	80W	277~480	5000K	L70>50,000	9600	120	70
CL-WP-100W-277-50K	100W	120~277	5000K	L70>50,000	12,000	120	70
CL-WP-100W-480-50K	100W	277~480	5000K	L70>50,000	12,000	120	70
CL-WP-120W-277-50K	120W	120~277	5000K	L70>50,000	14,400	120	70
CL-WP-120W-480-50K	120W	277~480	5000K	L70>50,000	14,400	120	70

Wall Pack Dimensions



Accessories (Optional)

SEMI CUTOFF SHIELD



lamp shown with shield



CLEANLIFE ENERGY LLC

1-800-316-2532

support@cleanlifeled.com

www.cleanlifeled.com

CLEANLIFE® and the Pinwheel Mark are registered trademarks of CLEANLIFE ENERGY LLC. All Rights Reserved. Not to be reproduced or published without prior permission.

PLEASE NOTE: Product specifications are based off of third party test reports and are subject to change without notice.



CLEANLIFE® LED